

druseidtt

Elektrotechnik

Cleaning-systems

for contacts und product-carriers

Soiled contacts and contact surfaces lead to:

- higher contact resistance
- higher power losses
- higher heating

According your requirements we offer the following solutions:

Hand-cleaning-slider

druseidt- hand-cleaning-slider allows a cost-effective and efficient cleaning of the contact surfaces of our contacts according catalogue 3 and also comparable contacts made by other manufacturers. The dimensions are adjusted according the product-carrier-thickness. Depending on the available space and the dimensions of the contacts we offer types for one- and two-hand-operation.



Hand-cleaning-slider one-hand-operation

Part-No.	For product-carrier-thickness
36030-10	10 mm
36030-12	12 mm
36030-15	15 mm
36030-20	20 mm
36030-25	25 mm



Hand-cleaning-slider two-hand-operation

Part-No.	For product-carrier-thickness
36040-10	10 mm
36040-12	12 mm
36040-15	15 mm
36040-20	20 mm
36040-25	25 mm



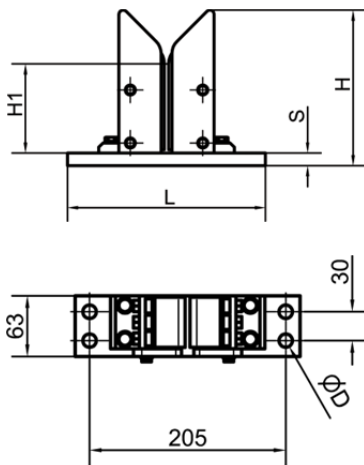
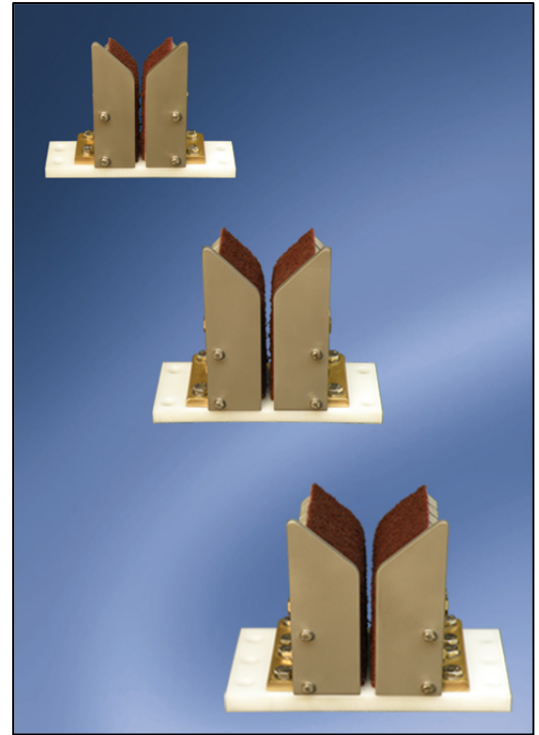
Special designs for other systems or different dimensions are available on request. Cleaning sliders for standard-contacts according to our product-information 01/2004 are available as part-no. 36015 (one-hand-operation) respectively 36020 (two-hand-operation).

Cleaning saddles for product carriers

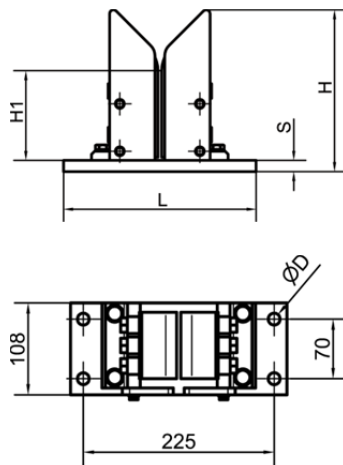
dimensions adapted to our standard-contacts according to productinformation 01/2004

druseidt-cleaning-saddles based on the principle of our spring-activated contact-saddles. The cleaning surfaces are coated with our special cleaning-fleece. This special material cleans the contact surfaces of the product carriers by running-in and out. The fleece has a high chemical resistance and could be cleaned by using a compressed air pistol. Tests in laboratories and in practice application show a long lifetime and good results of the cleaning process. In case of abrasion it is possible to change the saddle-halves easily. The cleaning-saddles are dimensionally coordinated according to the standard-high-current-contacts described in our productinformation 01/2004. Special designs according to other surfaces or systems are available on request.

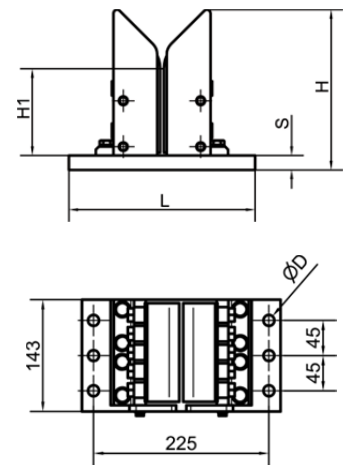
In order to reach an optimized cleaning effect the cleaning-saddles will be delivered adjusted according to the thickness of the existing busbars. These parts could be mounted instead of non-powered support blocks at the non-conducting tanks. So the cleaning cycle is fully integrated in the automated equipment process of your plant.



Type I



Type II



Type III

Part-No.		Technical data						
Cleaning-saddle complete	One replacement-half complete	Suitable for busbar		dimensions in mm				
		Type	thickness	L	H	H ¹	S	D
36000	36000-A	I	10	235	185	102	15	14
36000-15			15					
36000-20			20					
36005	36005-A	II	10	255	215	115	15	14
36005-15			15					
36005-20			20					
36010	36010-A	III	10	255	220	115	15	14
36010-15			15					
36010-20			20					

Note: The cleaning-saddles Type I are dimensionally adapted for the parallel use of our high-current-contacts 500-2000 A acc. productinformation 01/2004. The cleaning-saddles Type II are designed for the use of contact-saddles 3500 A and cleaning-saddles Type III for the use of high-current-saddles 5000 A. Cleaning-saddles for other dimensions and product-carriers are available on your request.